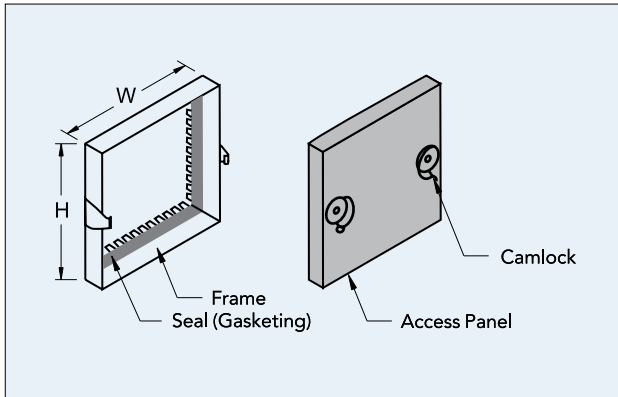


Access Door

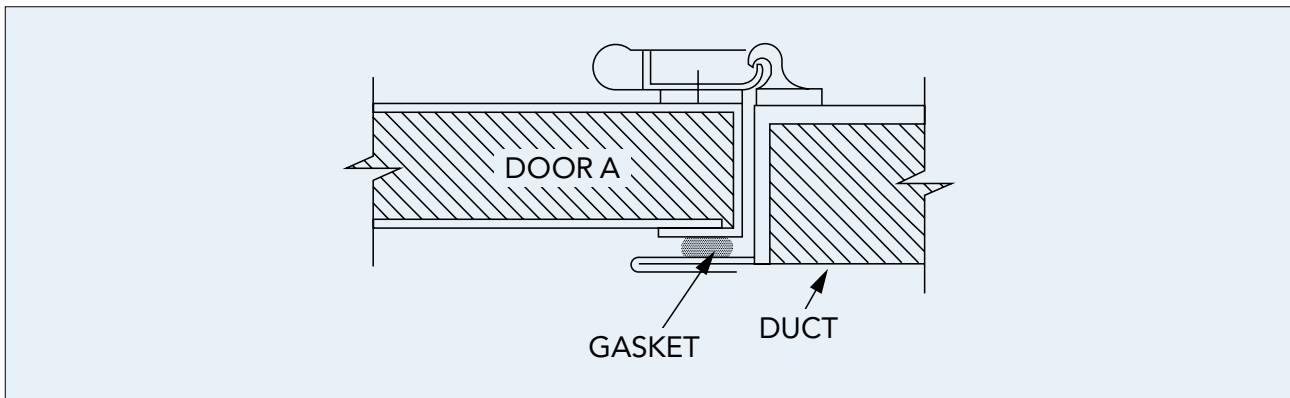
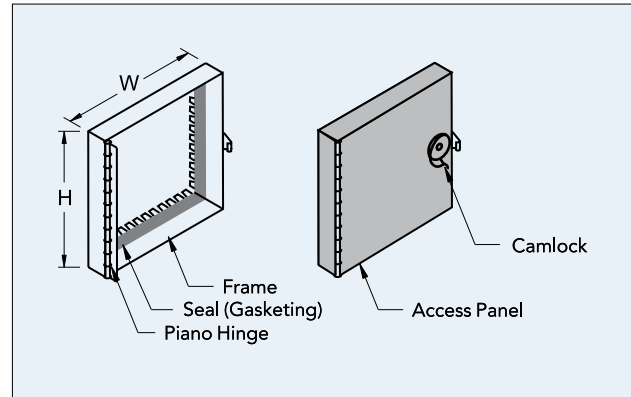
GENERAL

The Access Door fixed on the Duct for maintenance and cleaning, inspection and resetting of Fire Dampers, Smoke Dampers, Volume Dampers, Motorized Volume Dampers, Filters, etc,...

TYPE: REMOVABLE



TYPE: HINGES



CONSTRUCTION

Construction and Airtightness must be suitable for the Duct Pressure Class used.

- Access Door shall be made of 22 Gauge Galvanized Steel L.F.Q. complying with ASTM A653, having G90 Coating Designation.
- Access Door Frame shall be made of 22 Gauge Galvanized Steel L.F.Q. complying with ASTM A653, having G90 Coating Designation.
- Double Skinned Panel, Internal Acoustic Insulation 25 or 50mm as per Duct Insulation.
- The Gasket shall be applied on the frame for tightness and to prevent Leakage.
- If Access Door is requested with Hinge, it will be fixed between Door and Frame by Spot Welding.
- GI Drawer Type Handle is Optional.
- Normal Hinges available.

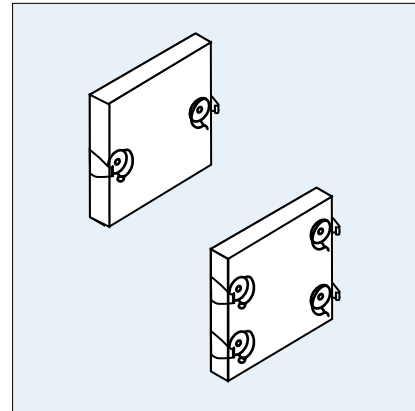
Materials Used for Access Doors

- **Galvanized Steel** : (Standard) L.F.Q. Complying with ASTM A653 and Having G90 Coating Designation.
- **Stainless Steel** : (Optional) Complying with ASTM A240M / A480M, Grade 304, 304L, 316 & 316L.

TECHNICAL DATA

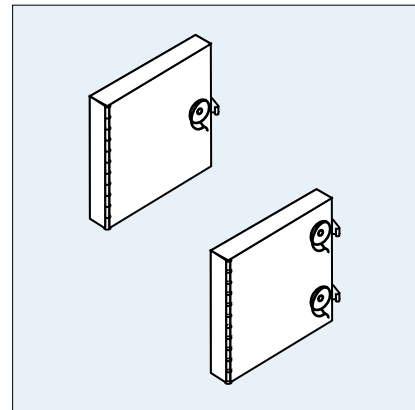
TYPE: REMOVABLE

Access Door Size	Duct opening Size WxH (mm)	Normal Size WxH (mm)	Camlock			
			Left	Right	Up	Down
150X100	150X100	200X100	1	1		
150X150	150X150	200X200	1	1		
200X200	200X200	250X250	1	1		
300X300	300X300	350X350	2	2		
450X450	450X450	500X500	2	2	1	1
650X450	650X450	700X500	2	2	1	1



TYPE: HINGES

Access Door Size	Duct opening Size WxH (mm)	Normal Size WxH (mm)	Camlock			
			Left	Right	Up	Down
150X100	150X100	200X100	Hinges	1		
150X150	150X150	200X200		1		
200X200	200X200	250X250		1		
300X300	300X300	350X350		2		
450X450	450X450	500X500		2	1	1
650X450	650X450	700X500		2	1	1

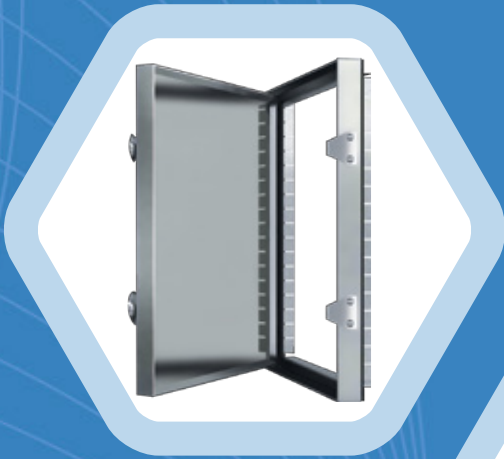


Installation Details:

Connection will be hemmed to the Duct and Filled with Sealant.

Materials Used for Access Doors

- **Galvanized Steel** : (Standard) L.F.Q. Complying with ASTM A653 and Having G90 Coating Designation.
- **Stainless Steel** : (Optional) Complying with ASTM A240M / A480M, Grade 304, 304L, 316 & 316L.



📍 P.O. Box 6599 Jeddah 21452,
Kingdom of Saudi Arabia

☎ +966 55 521 4885

✉ info@fmc-metalfactory.com

🌐 fmcksa.com

