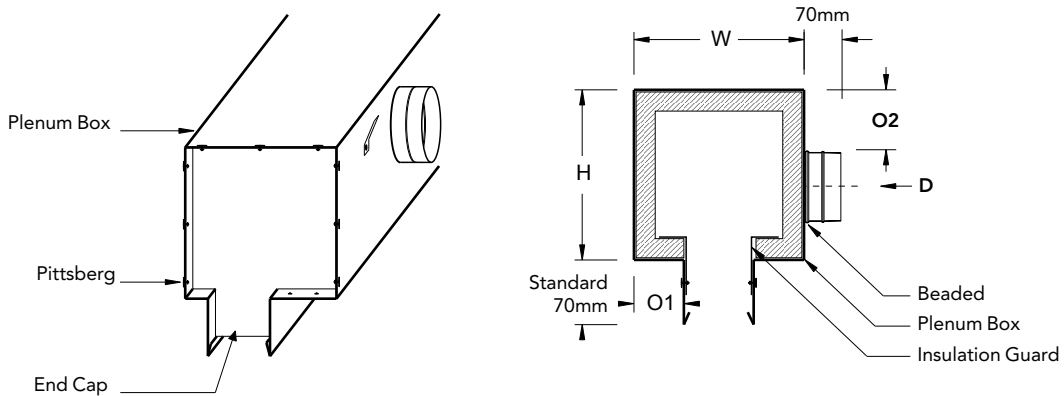
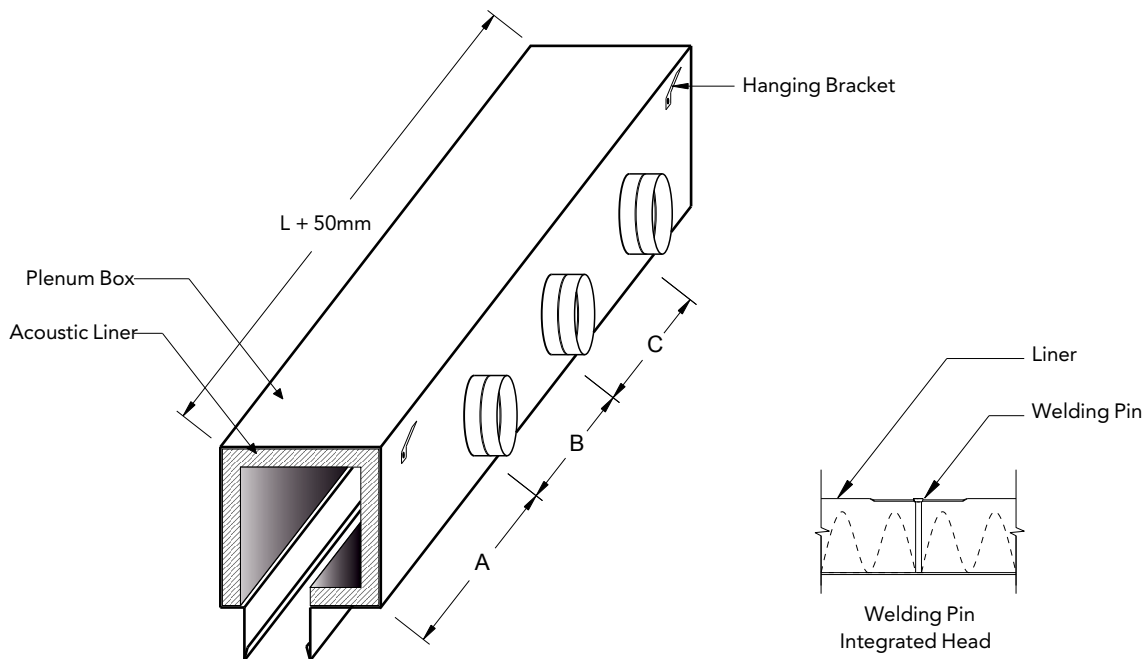


## PLENUM BOX

- \* **Plenum Box:** Fabricated of 24 Gauge Galvanized Iron - Standard.
- \* **Acoustic Liner:** Clean Liner 25mm, 24 or 48 kg/m<sup>3</sup>, is faced with a Black, Strong, Durable, Dimensionally Stable Woven Glass Fabric.
- \* **Optional:**
  - 1- Volume Control Damper.
  - 2- Inside Insulation Covered with Galvanized Perforated Sheet Insuring Full Protection.
  - 3- Acoustic Liner Thickness & Density as per Client Request.
  - 4- Rubber Insulation.



### Materials Used for Ductworks:

- **Galvanized Steel** : (Standard) L.F.Q. Complying with ASTM A653 and Having G90 Coating Designation.
- **Stainless Steel** : (Optional) Complying with ASTM A240M / A480M, Grade 304, 304L, 316 & 316L.
- **Aluminum Metal** : (Optional) Complying with ASTM B209, Alloy 3003, Temper H14.